



**Инструкция по монтажу
тягово-цепного устройства
шарового типа 3964 А
для автомобилей
Ford Transit Connect
Ford Tourneo Connect**

| | |
|--|----------|
| | 2002-... |
| | 1200 |
| | 50 |
| | 20 |

..... :

..... VIN

.....

.....



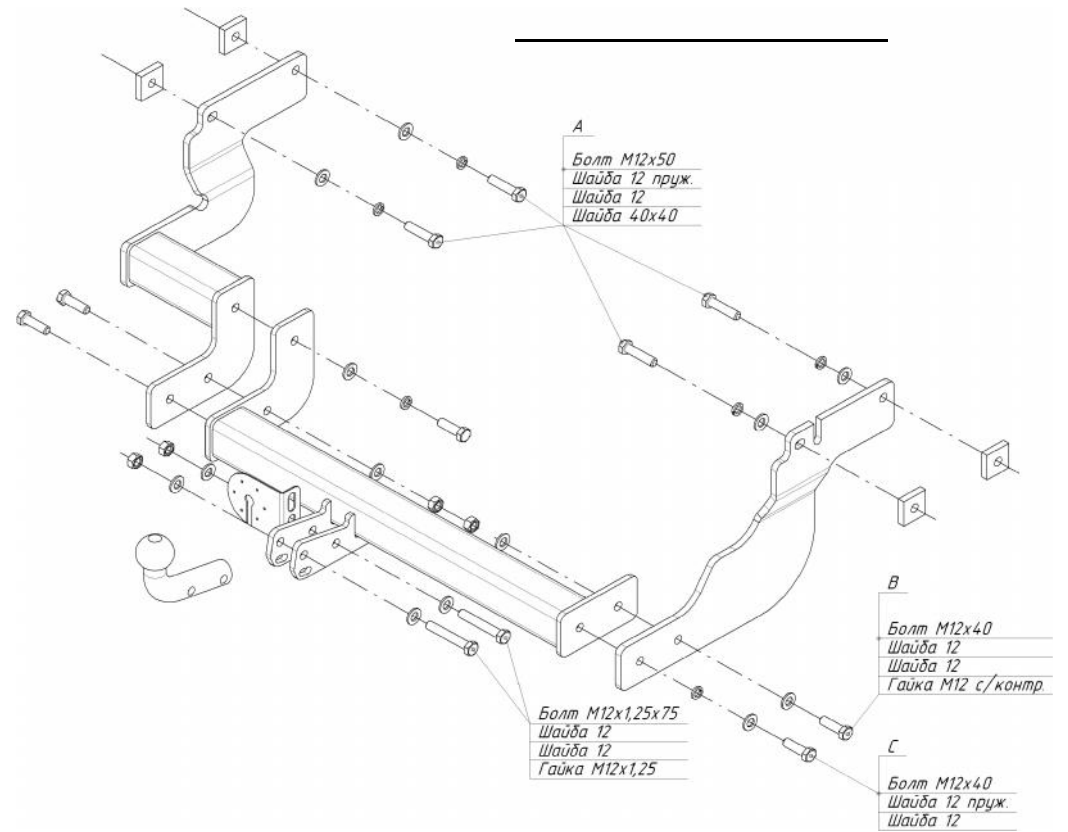
462800,

18

: (35363) 7-05-06
/ : (35363) 7-13-20
(495) 799-13-46
www.bosal-autoflex.ru
www.bosal.com

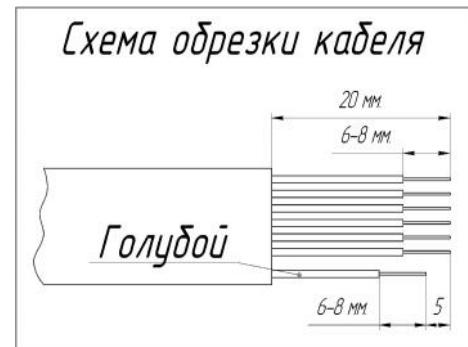
| | |
|-------|-----------------------------------|
| | (8182) 22-48-15 |
| | 8(8442) 98-74-98 |
| | 8(343) 379-39-89, 373-42-73 |
| | 8(343) 26-88-308 |
| | 8(3952) 710-194 |
| | 8(495) 777-54-59 |
| | 8(495) 745-79-11 |
| | 8(495) 788-95-97 |
| | 8(495) 720-51-03 |
| | 8(3532) 57-99-85 |
| | 8-905-899-5012 |
| | 8(383) 291-59-60 |
| | 8(831) 279-53-24 |
| | 8(3422) 98-27-20 |
| | 8(342) 220-87-87 |
| | 8-927-002-90-06 |
| | 8(3462) 24-00-44 |
| | 8(3842) 21-14-76 |
| | 8-902-940-4151 |
| | 8(3452) 32-22-12, 41-52-62 |
| | 8-961-213-0278 |
| | 8-917-347-1700 |
| | 8(351) 269-44-75, 900-72-73 |
| | 8(3512) 773-76-91 |

41.55-2005.



| | | | |
|---|--|--|--|
| | | | |
| 1 | | | |
| 2 | | | |
| 3 | | | |
| 4 | | | |
| 5 | | | |
| 6 | | | |
| 7 | | | |

| | |
|--|-----|
| | 1 . |
| | 1 . |
| | 1 . |
| | 1 . |
| | 1 . |



| | |
|------------|------|
| 4 | 3 . |
| 4 | 3 . |
| 4 | 3 . |
| 4 35 | 3 . |
| 12 40 | 5 . |
| 12 50 | 4 . |
| 12 1,25 75 | 2 . |
| 12 | 2 . |
| 12 1,25 | 2 . |
| 12 | 7 . |
| 12 | 15 . |
| 40 40 10 | 4 . |
| VH0174 | 1 . |
| | 1 . |
| | 1 . |
| 190 | 1 . |
| | 1 . |