



Installation instructions for PZ4AL- 01695- 00

Under Run Protective Shield engine bay and steering rods

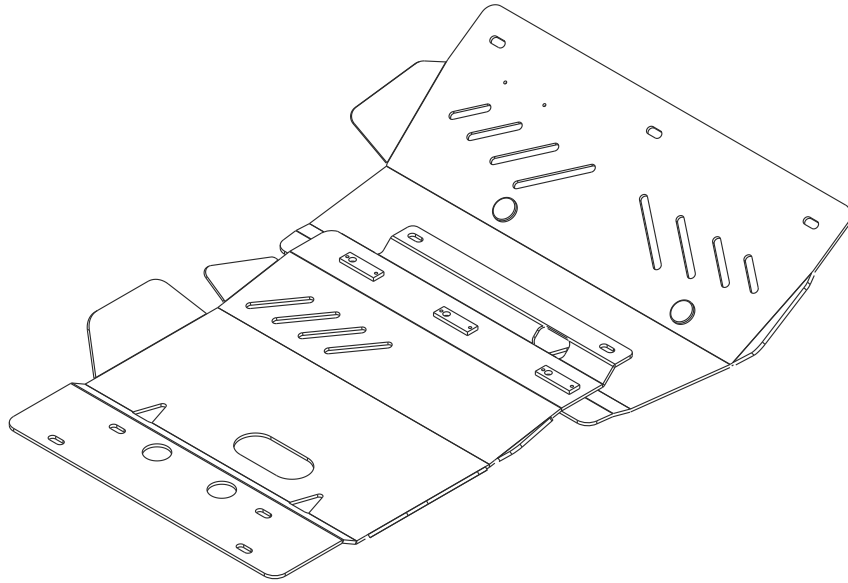
LEXUS GX 460

Toyota Land Cruiser 150



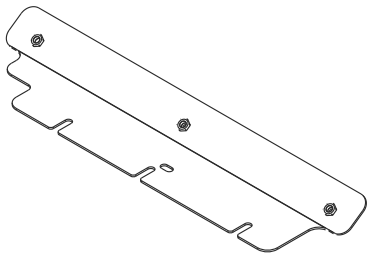
Model Year:	GX 460 - 2009	LC 150 Diesel - 2009	LC 150 Petrol - 2009
Vehicle Code	URJ150L-GKTZKW	KDJ15*L - G ***YW	GRJ150L - G ***KW
Part Number	PZ4AL- 01695- 00	PZ4AL- 01695- 00	PZ4AL- 01695- 00
 Weight	12.93Kg	12.93Kg	12.93Kg
 Installation Time	30min	30min	30min
Manual reference number	AIM 001-928-0	AIM 001-928-0	AIM 001-928-0

A



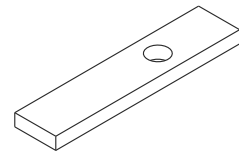
PZ4AL- 01695- 60

B



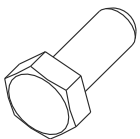
X1

C



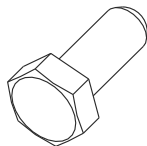
X 2 SD 3004

D1



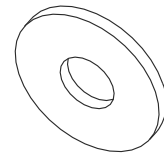
8 x M 10x 30

D2

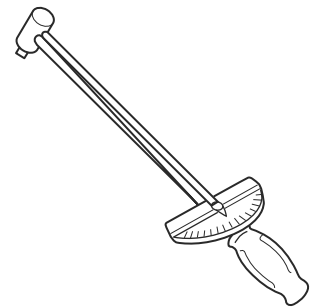
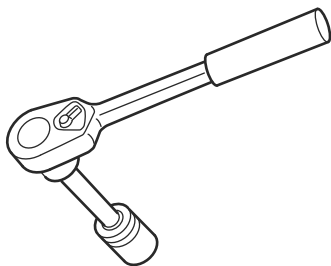


2 x M 10x1.25x30

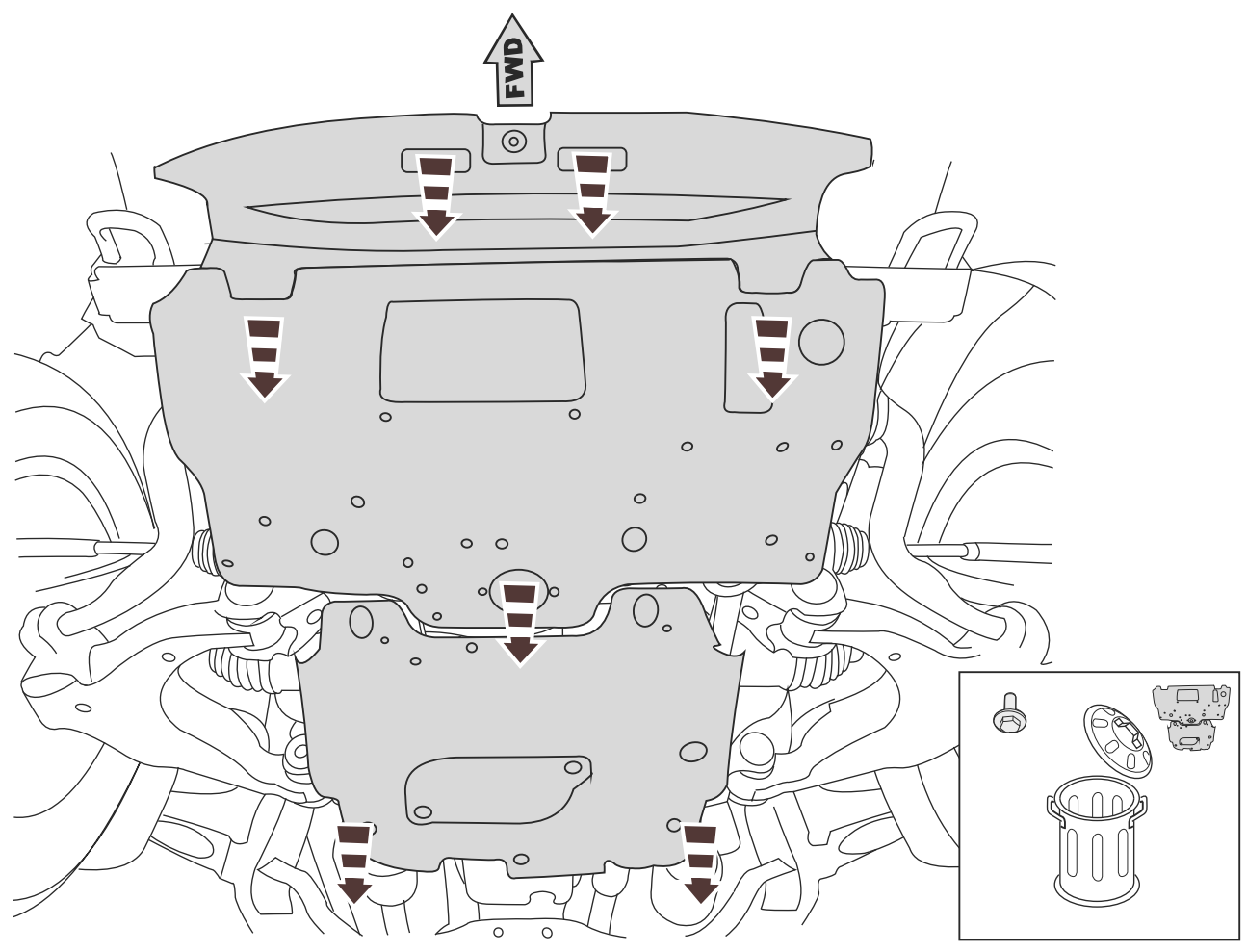
E



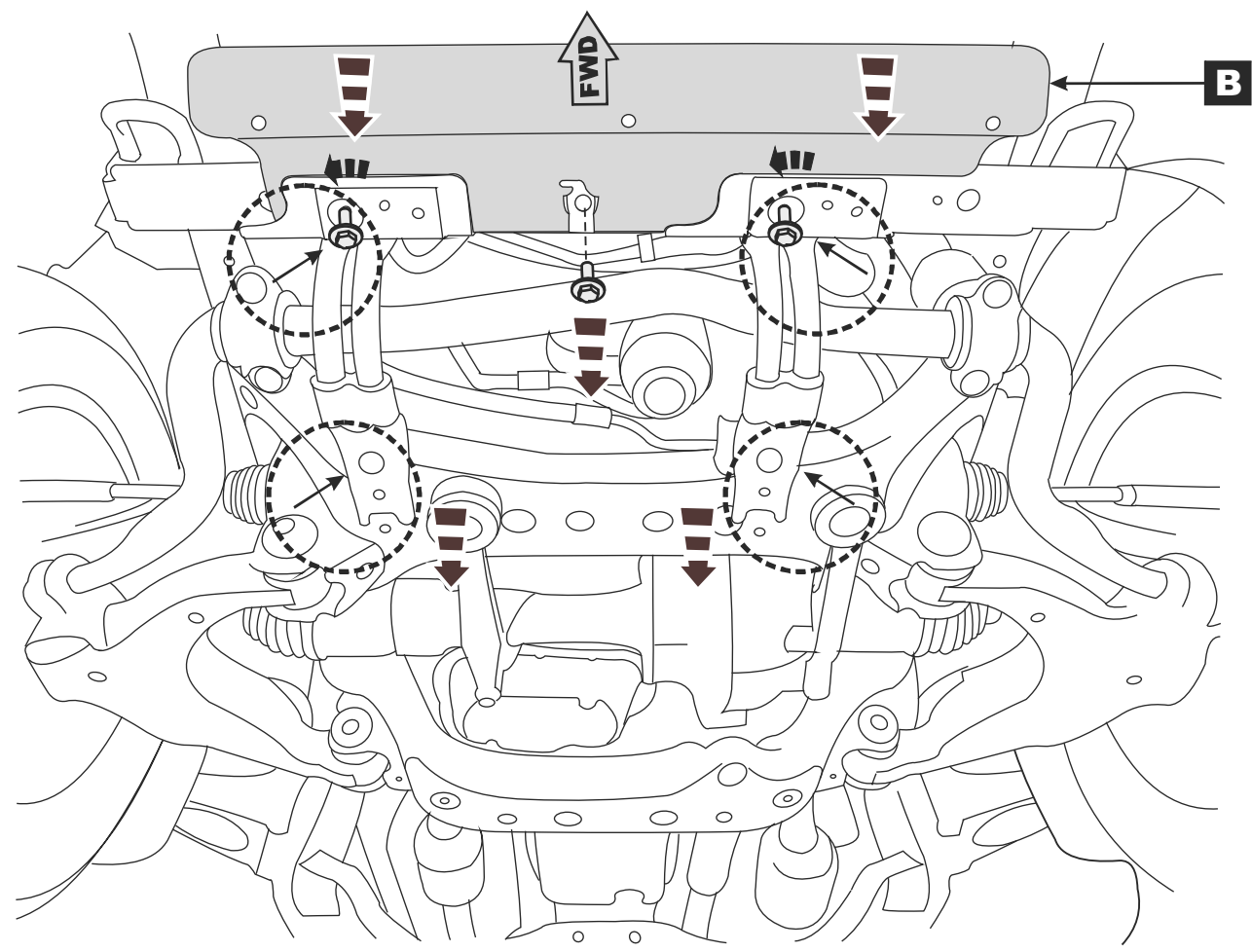
X 10 Ø10



1

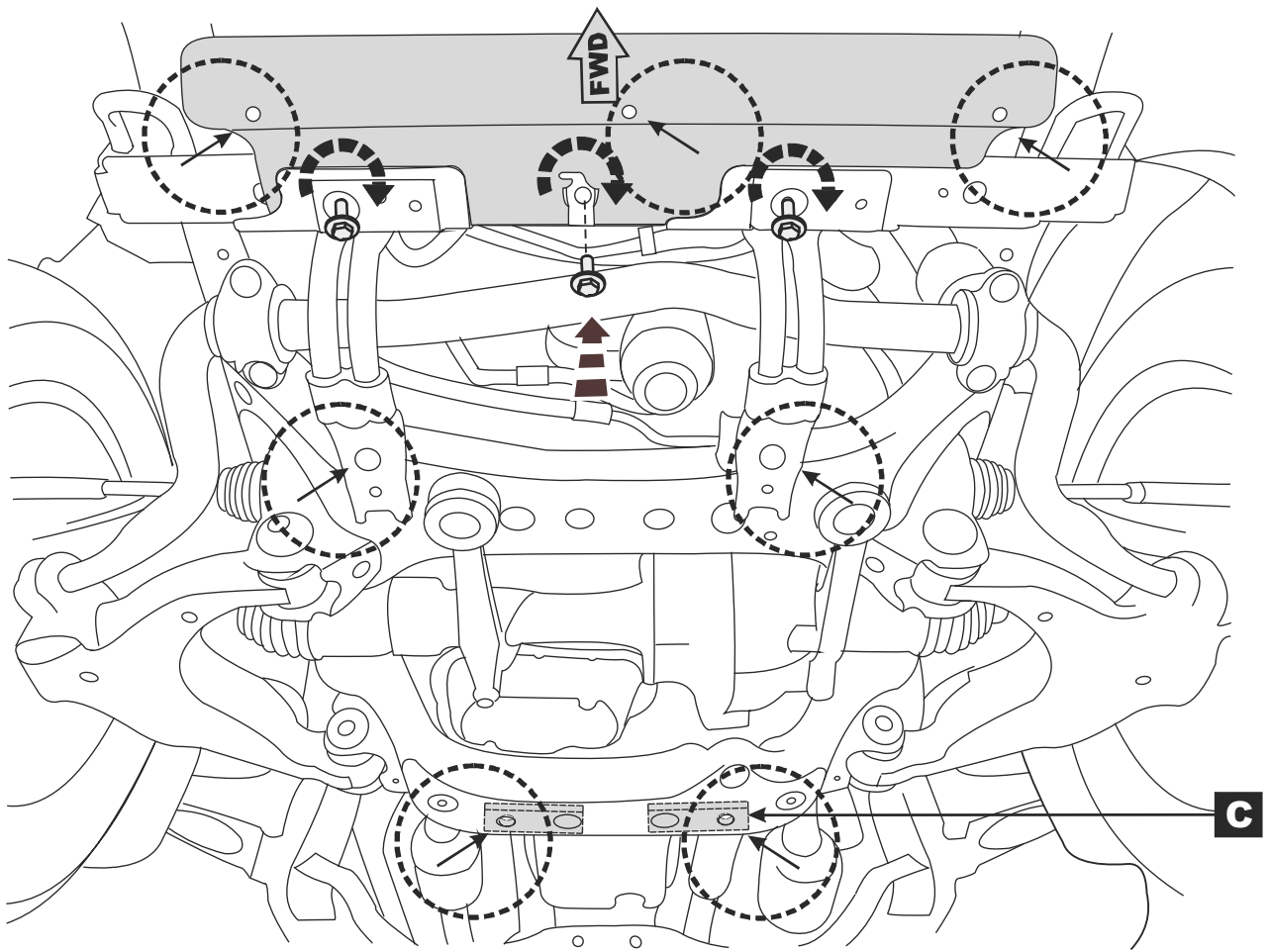


2

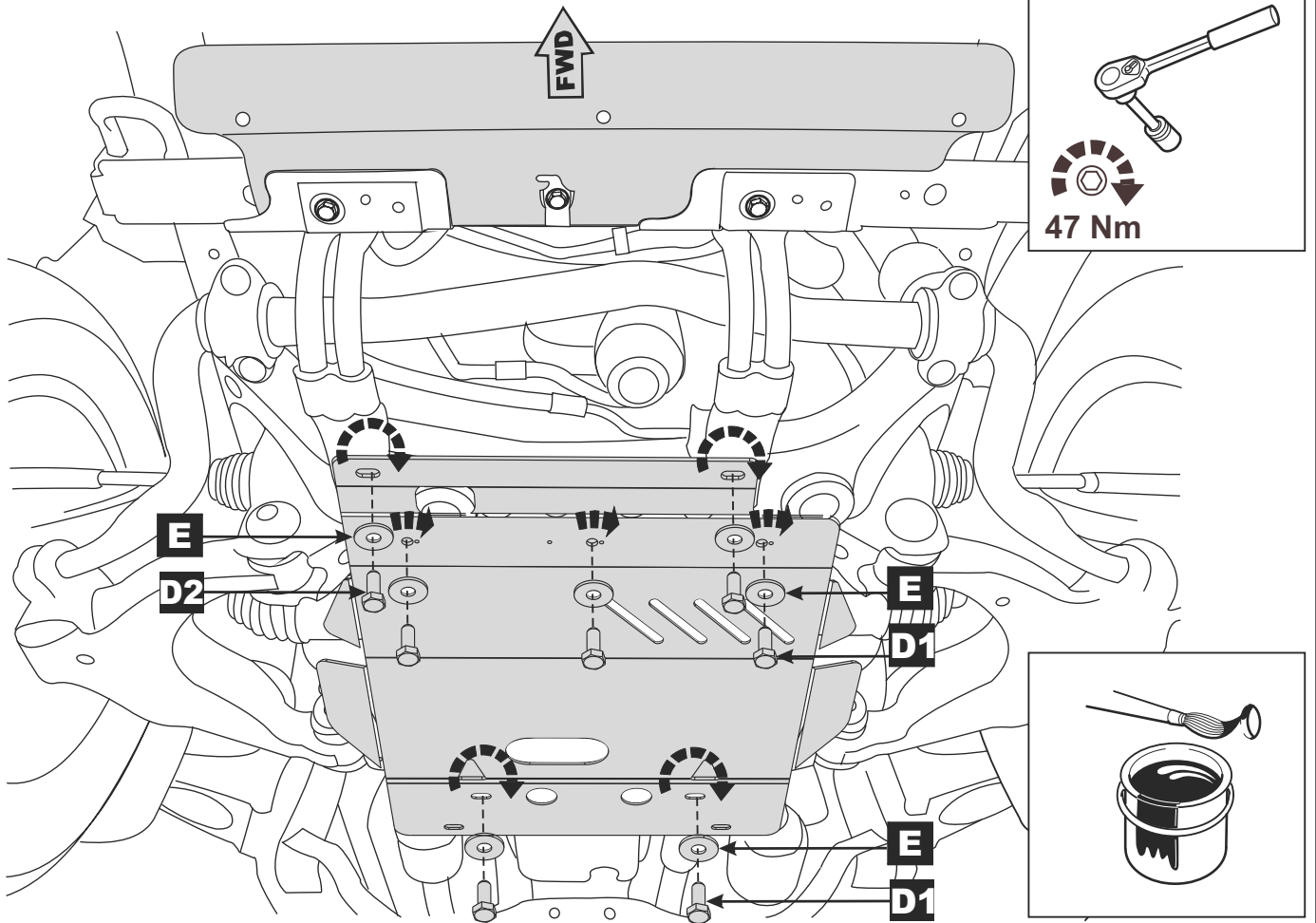


Part number: PZ4AL- 01695- 00	Issue: 0	Date: 14/12/009	Manual reference number: AIM 001 -928-0	Page: 3/5
----------------------------------	-------------	--------------------	--	--------------

3



4



Part number:

PZ4AL- 01695- 00

Issue:

0

Date:

14/12/009

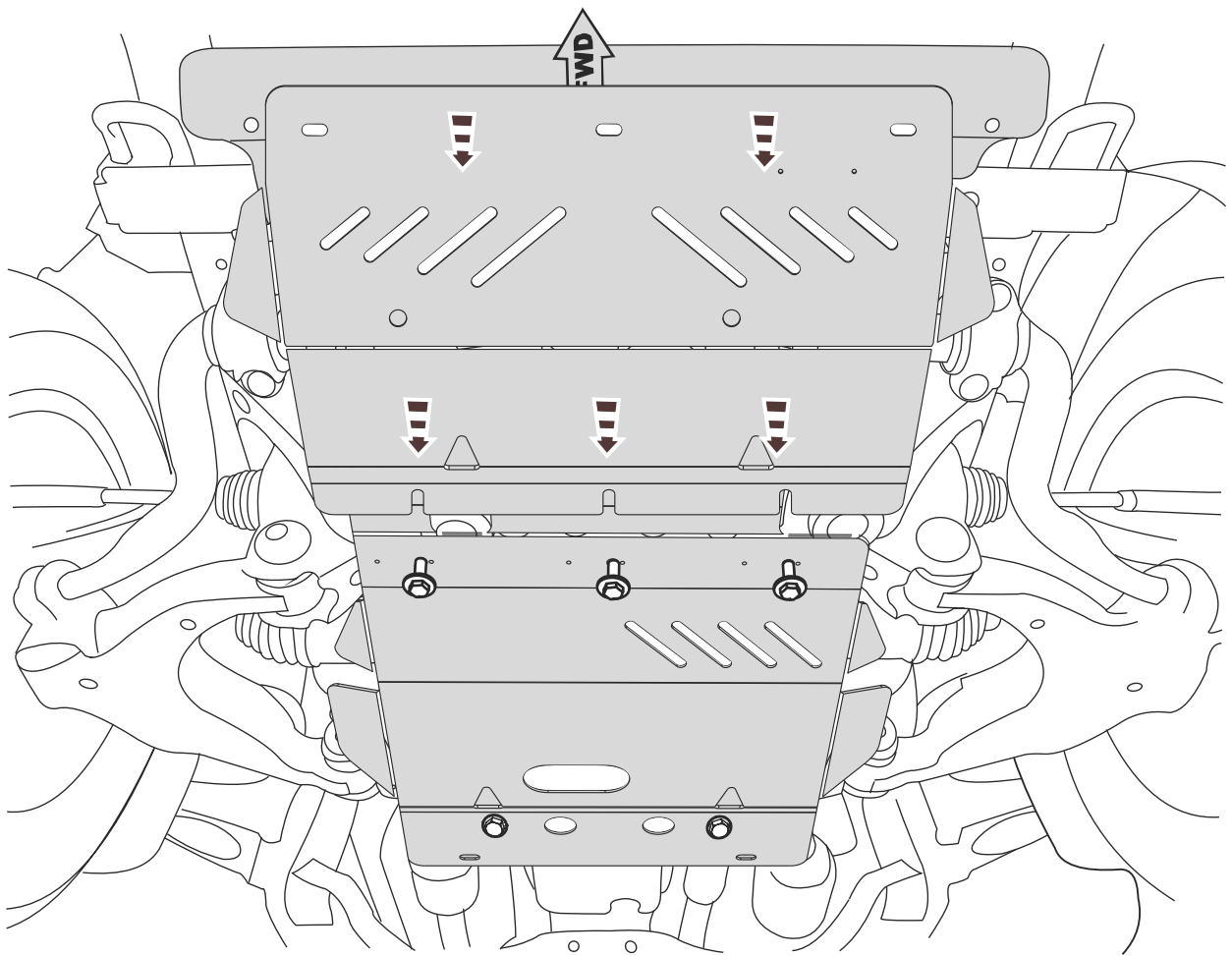
Manual reference number:

AIM 001 -928-0

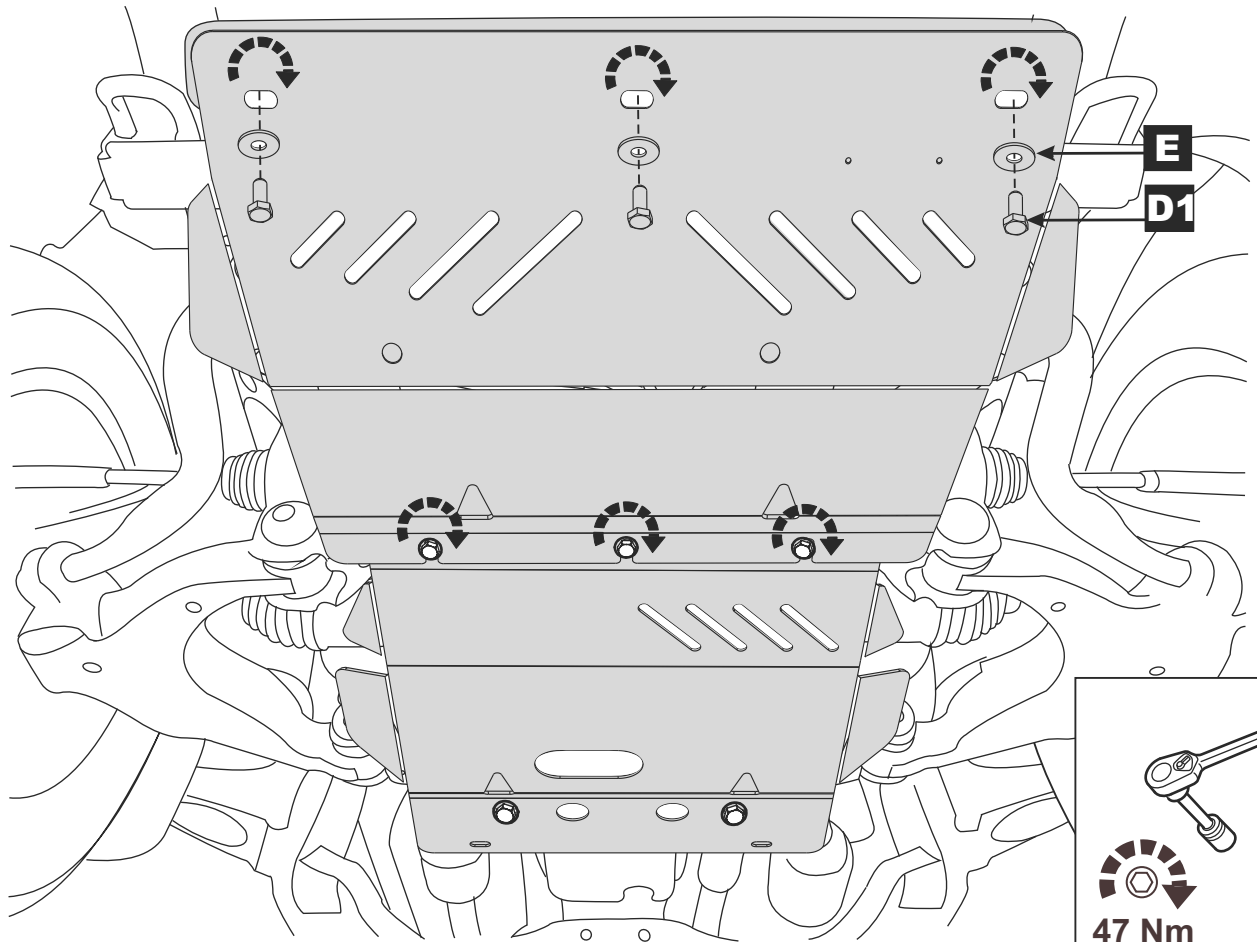
Page:

4/5

5



6



Part number: PZ4AL- 01695- 00	Issue: 0	Date: 14/12/009	Manual reference number: AIM 001 -928-0	Page: 5/5
----------------------------------	-------------	--------------------	--	--------------