

# Installation instructions for PZ4AL-02374-00, PZ4AL-02375-00 Under Run Protective Shield Engine Bay and Transmission Case

## TOYOTA RAV4



Model Year

**RAV4 - 2012 -**

Vehicle Code

**ALA49L-ANTGYW**

Part Number

**Steel: PZ4AL-02374-00  
Aluminium: PZ4AL-02375-00**



Weight

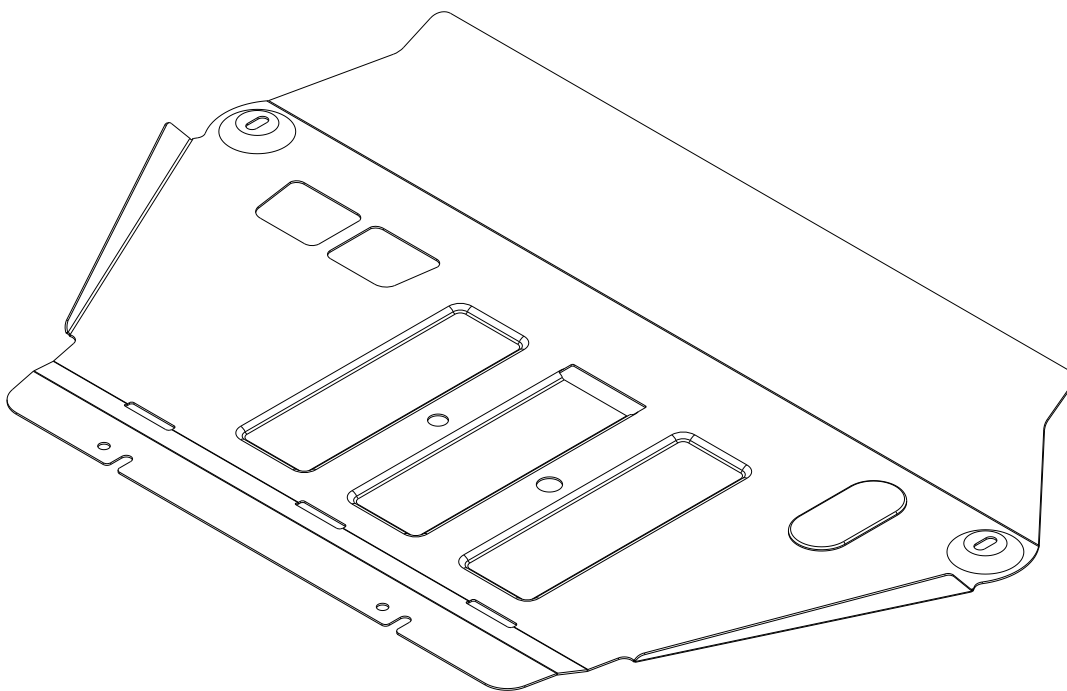
**Steel: 10,83 kg  
Aluminium: 9,47 kg**



Installation Time

**15-30 min**

**A**



PZ4AL-02372-60

**B1**



x2 M10x20

**B2**



x2 M10x100

**C1**



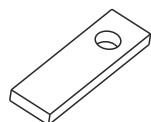
x4 Ø 10

**C2**



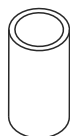
x4 Ø 10G

**D**



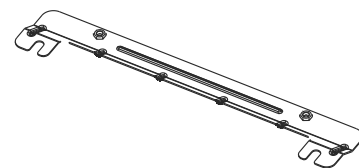
x2

**E**

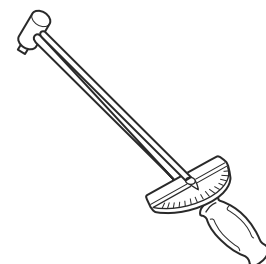
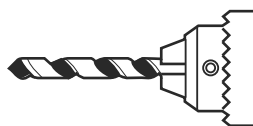
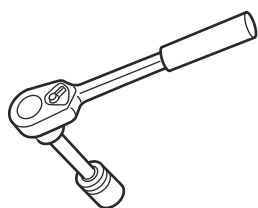


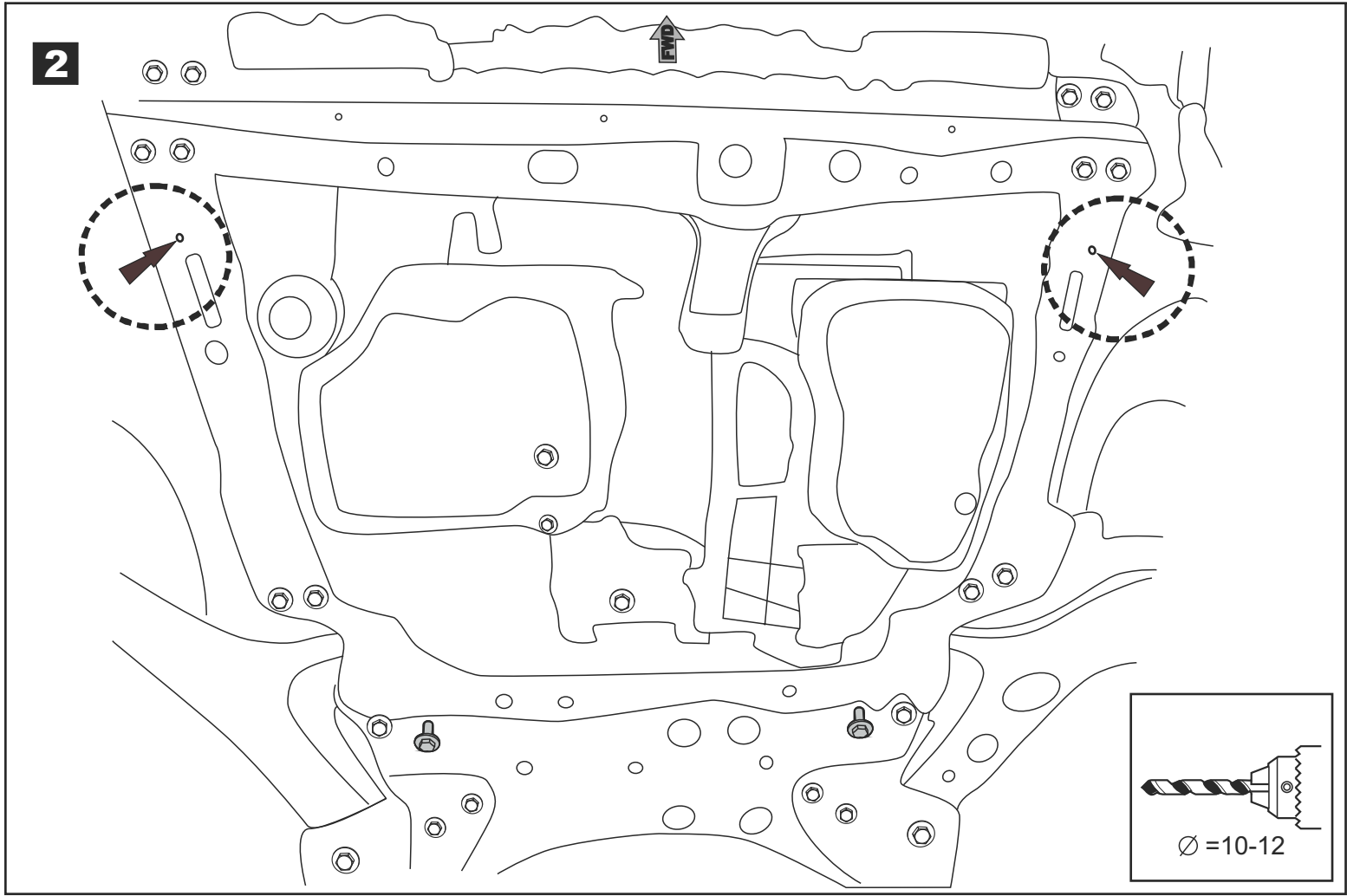
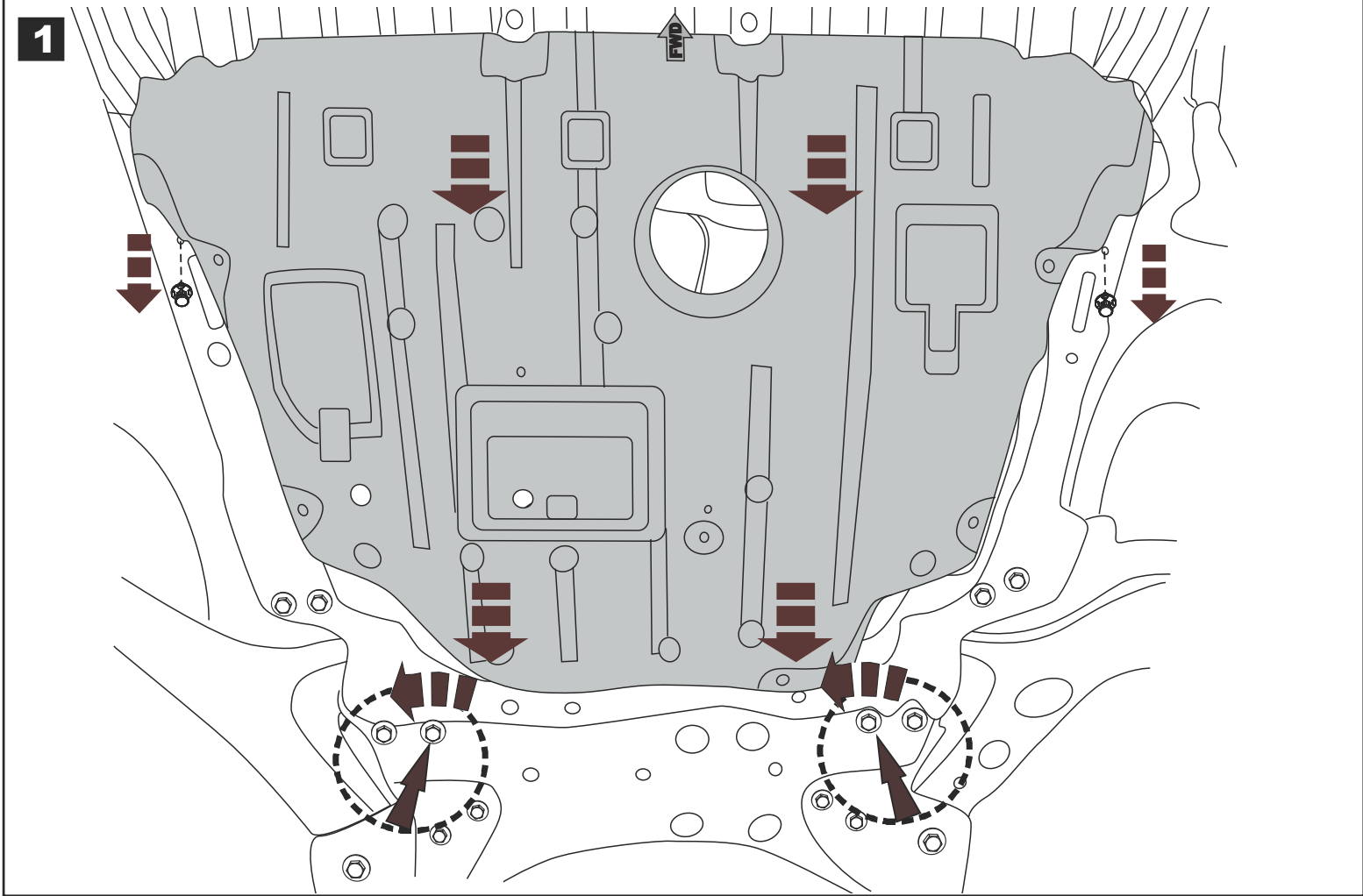
x2

**F**

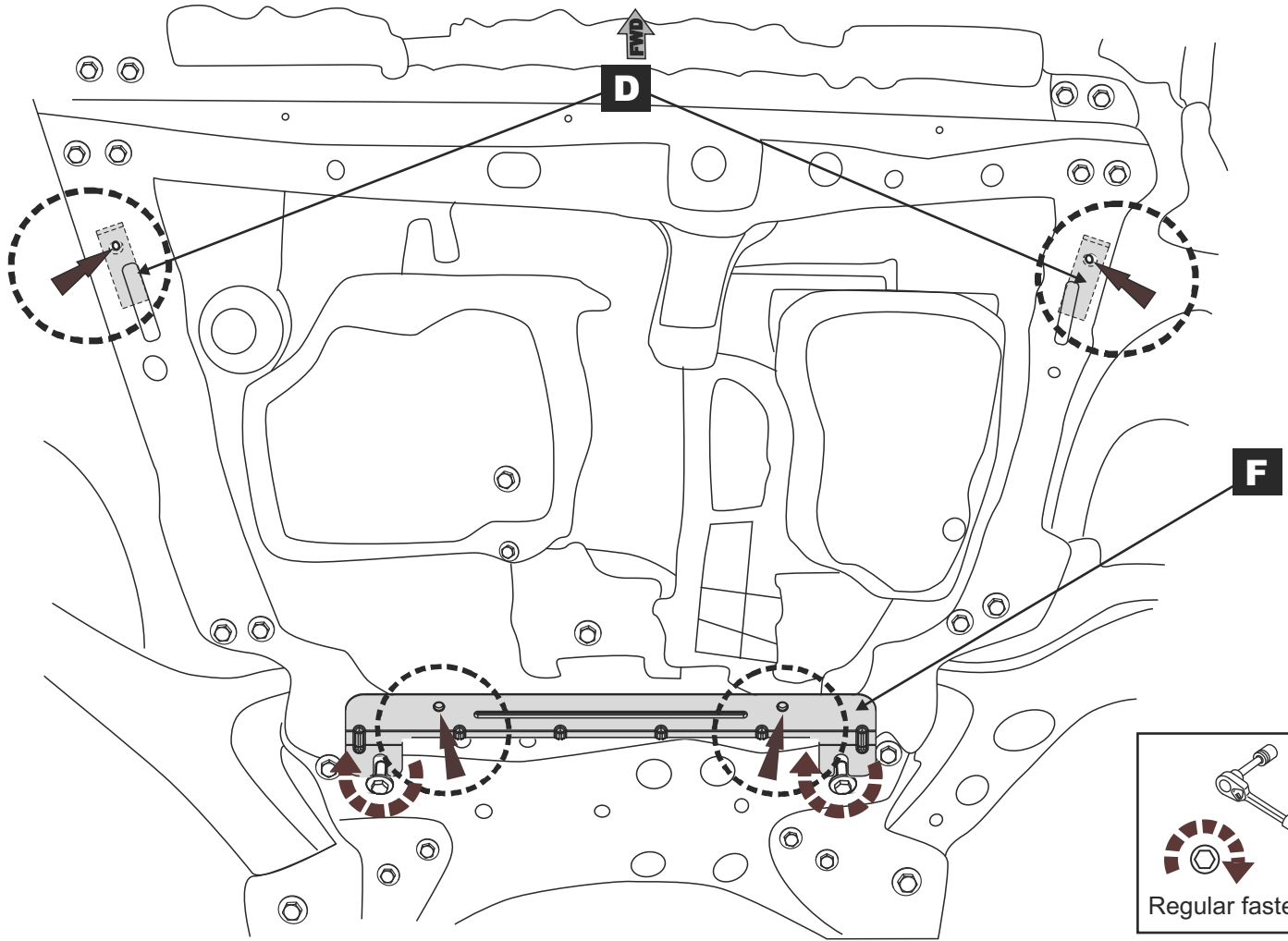


x1



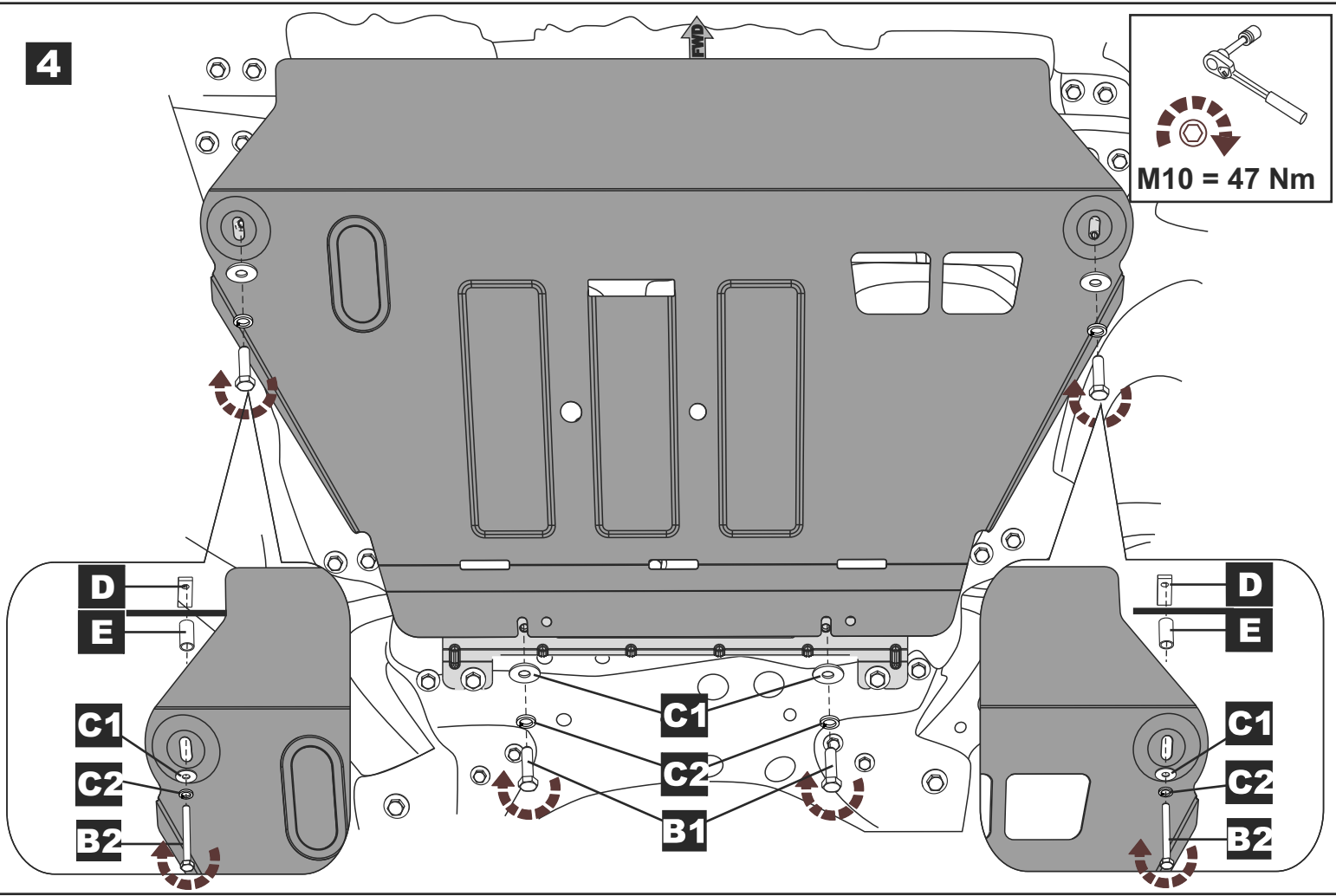


**3**



Regular fasteners

**4**



M10 = 47 Nm

**D**  
**E**

**C1**  
**C2**  
**B2**

**C1**  
**C2**  
**B1**

**D**  
**E**

**C1**  
**C2**  
**B2**

5

