

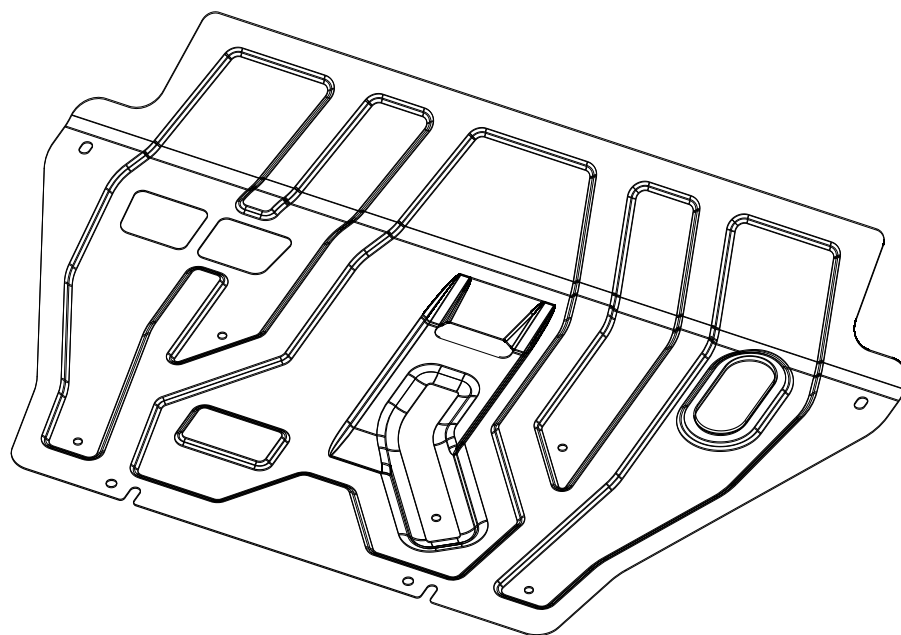
Installation instructions for PZ4AL-01876-00
Under Run Protective Shield Engine Bay and Transmission Case

TOYOTA RAV4



Model Year	RAV4 - 2006	RAV4 - 2012
Vehicle Code	ZSA35L-BWFXPW; ZSA30L-BWFXPW ZSA30L-BWFGPW; ZSA30L-BWXXPW ZSA30L-BWXGPW; ACA33L-ANPGKW	ZSA44L-ANFXK ZSA44L-ANXXK ZSA44L-ANXGK
Part Number		PZ4AL-01876-00
 Weight		9,4 kg
 Installation Time		30 min
Manual reference number		AIM 002 082-0

A



PZ4AL-08760-60

B1



x2 M10x20

B2



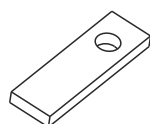
x2 M10x100

C



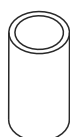
x4 Ø 10

D



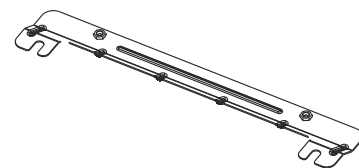
x2

E

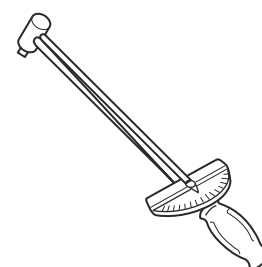
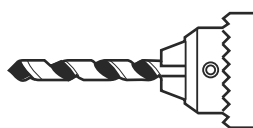
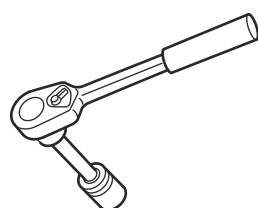


x2

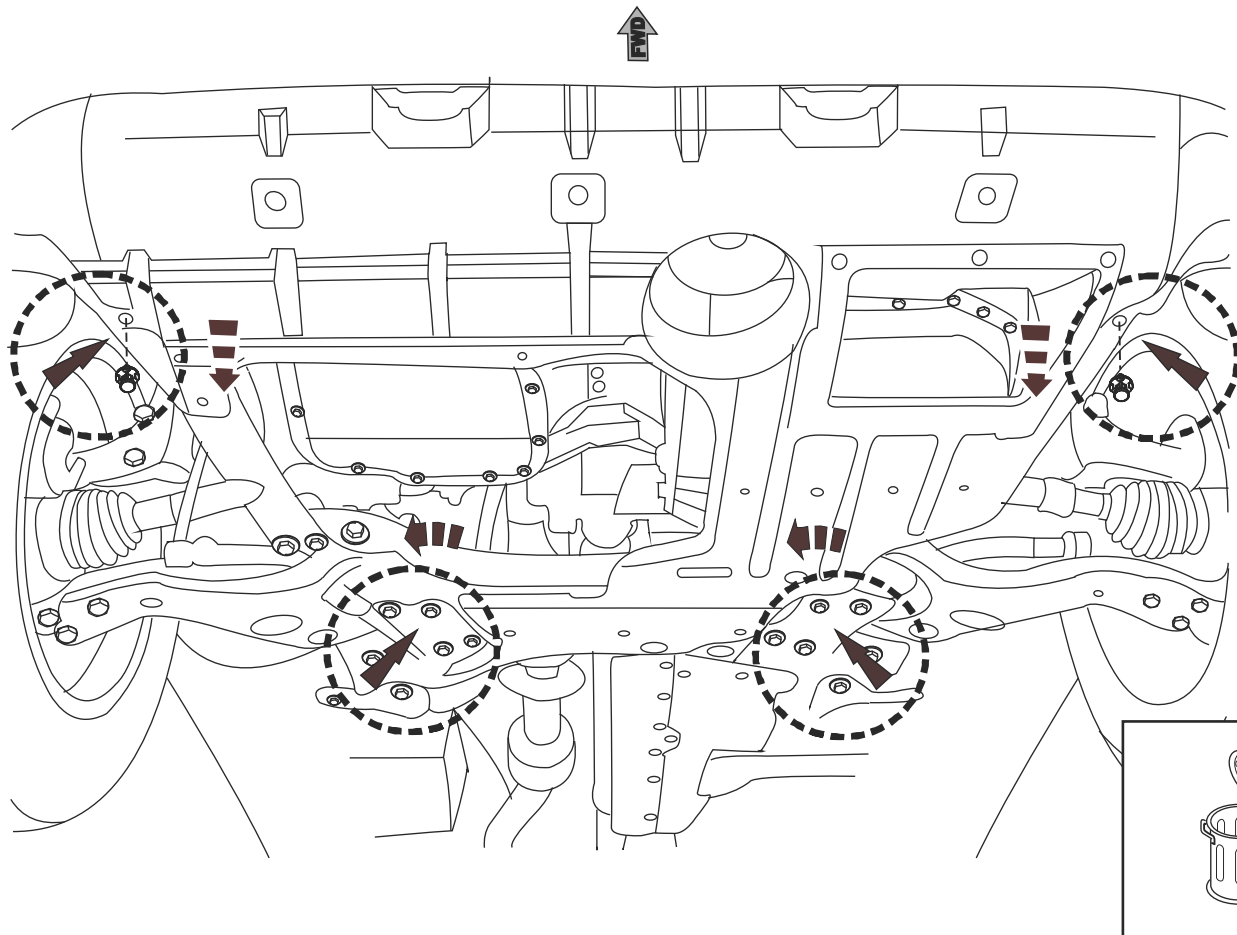
F



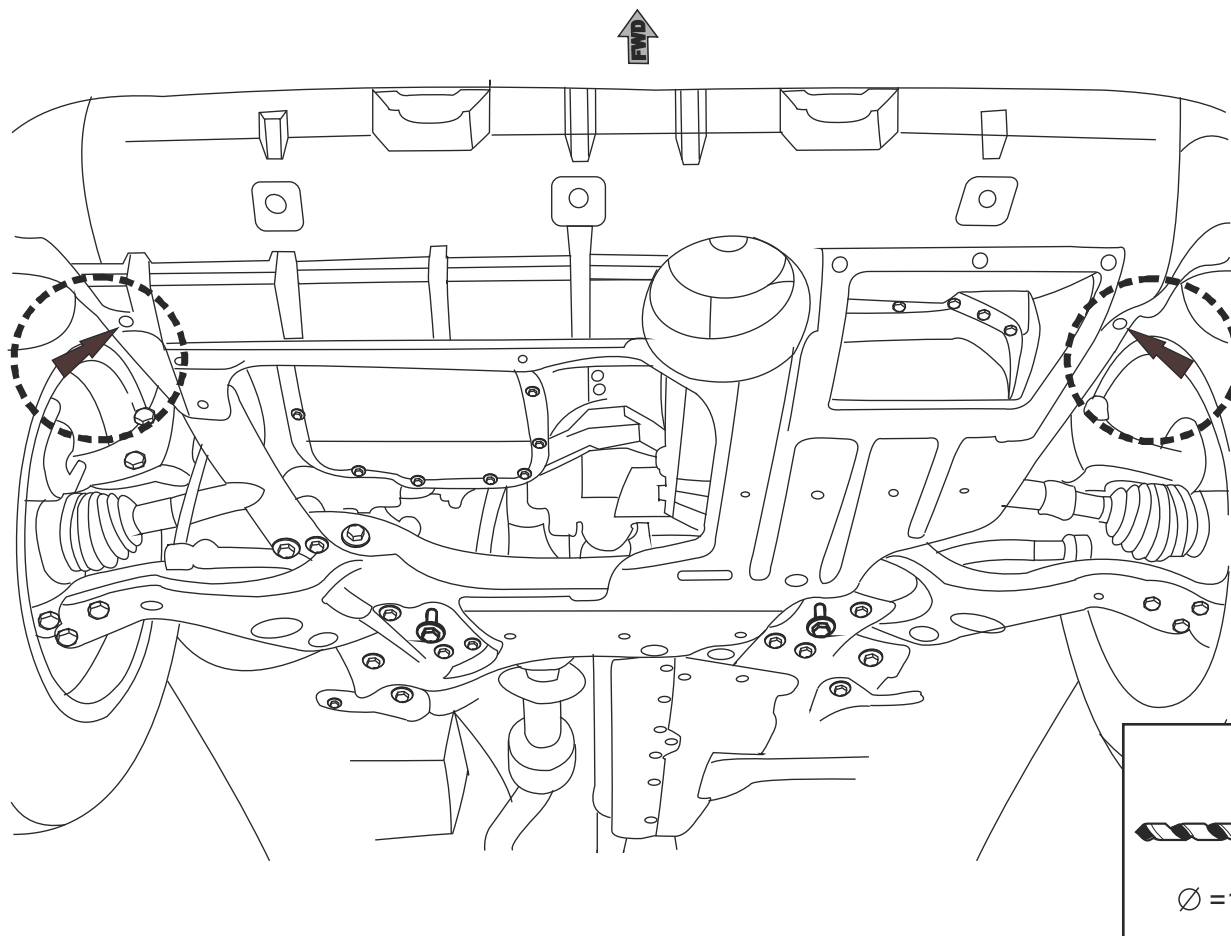
x1



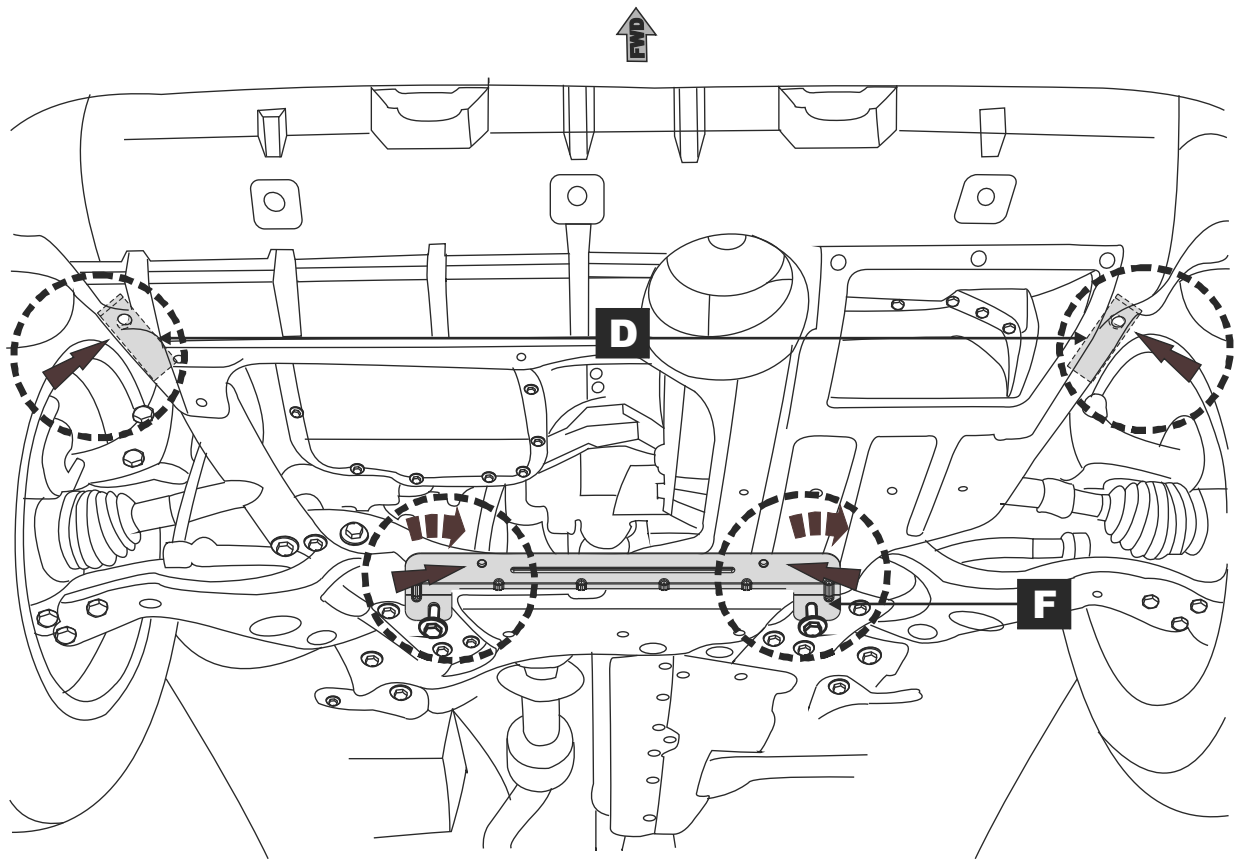
1



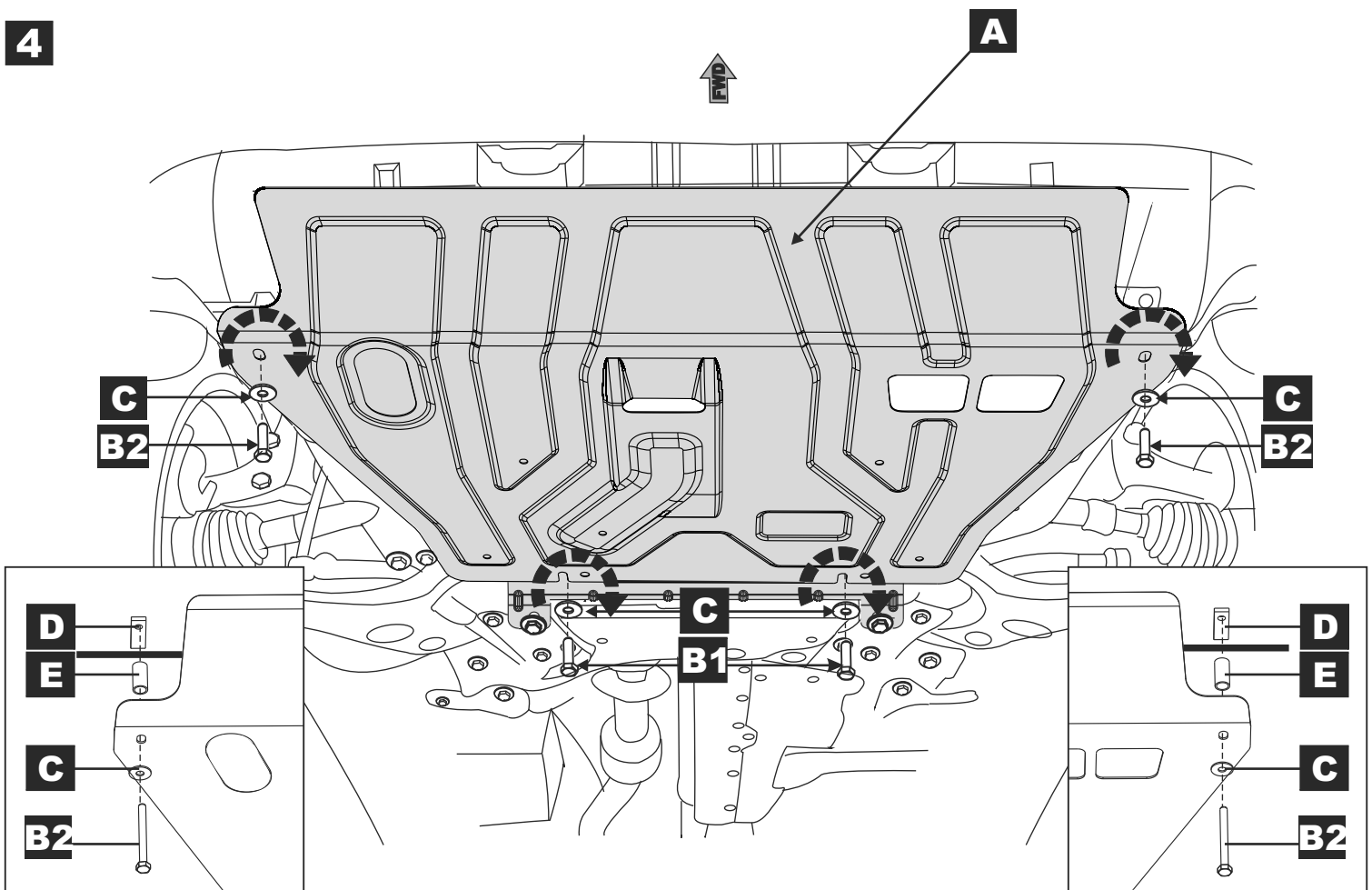
2



3



4



5

