

Installation instructions for PZ4AL- 01699- 00



Under Run Protective Shield transmission case and transfer box

LEXUS GX 460

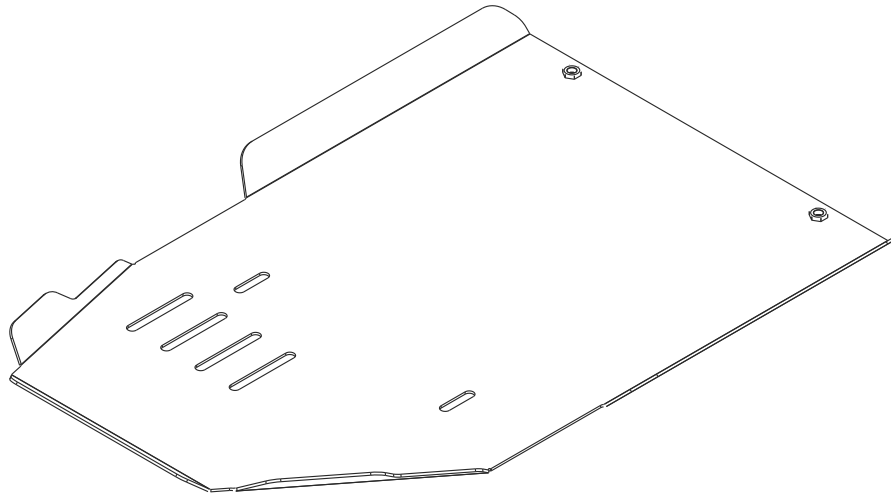


Toyota Land Cruiser 150



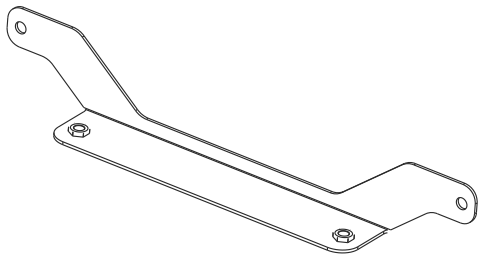
Model Year:	GX 460 - 2009	LC 150 Diesel - 2009	LC 150 Petrol - 2009
Vehicle Code	URJ150L-GKTZKW	KDJ15*L - G ***YW	GRJ150L - G ***KW
Part Number	PZ4AL- 01699- 00	PZ4AL- 01699- 00	PZ4AL- 01699- 00
 Weight	11.75Kg	11.75Kg	11.75Kg
 Installation Time	10min	10min	10min
Manual reference number	AIM 001 -931-0	AIM 001 -931-0	AIM 001 -931-0

A



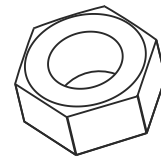
PZ4AL- 01699- 60

B



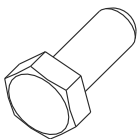
X1

C



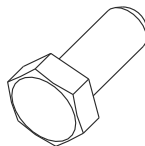
X 2 10

D1



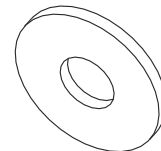
4 x M 10x 20

D2

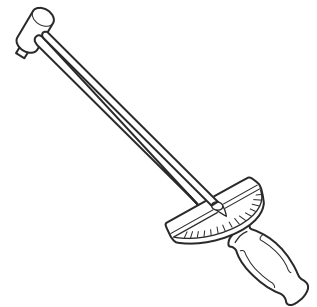
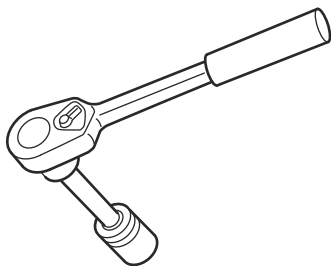


2 x M 10x110

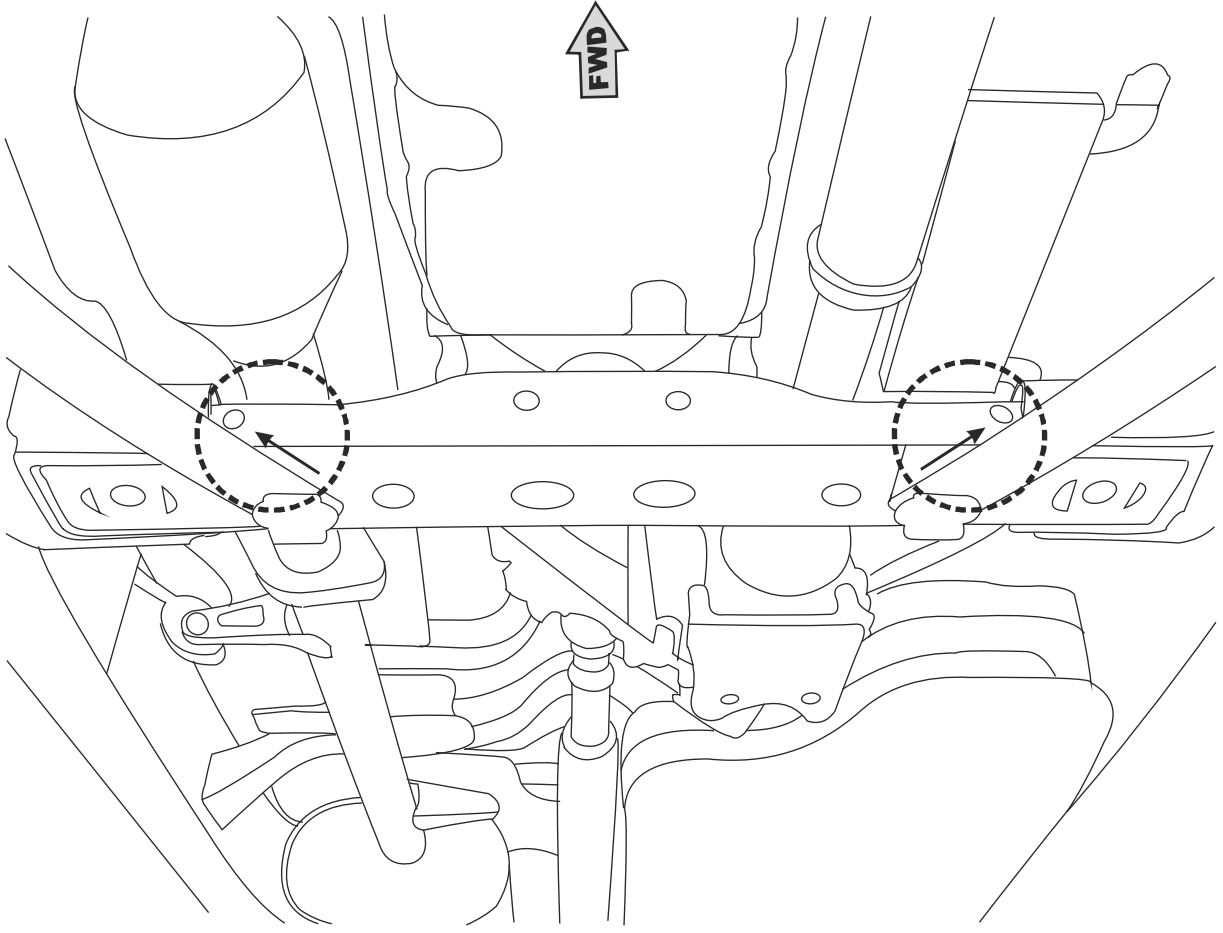
E



X 8 Ø10



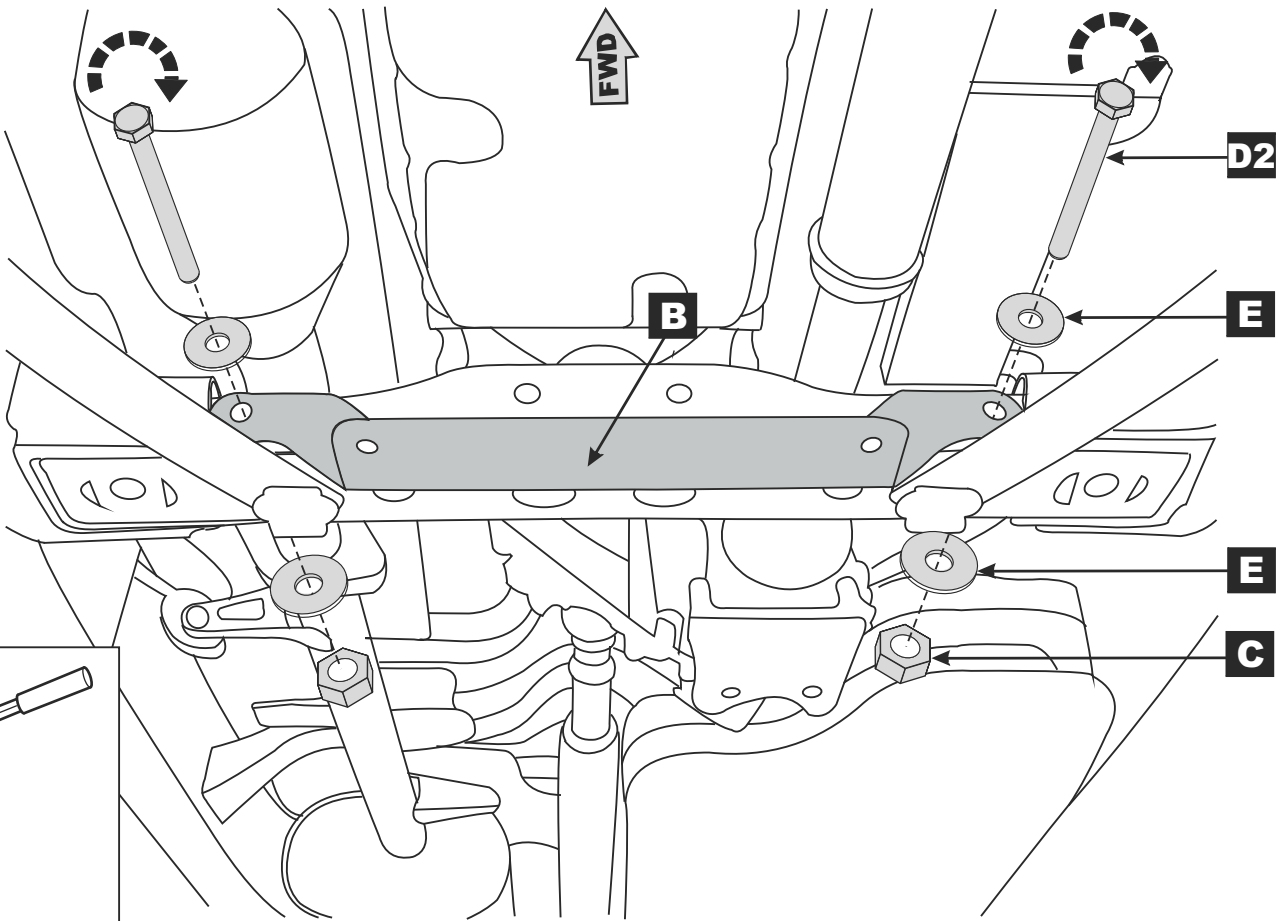
1



2A

LEXUS GX 460

Toyota Land Cruiser 150 Diesel

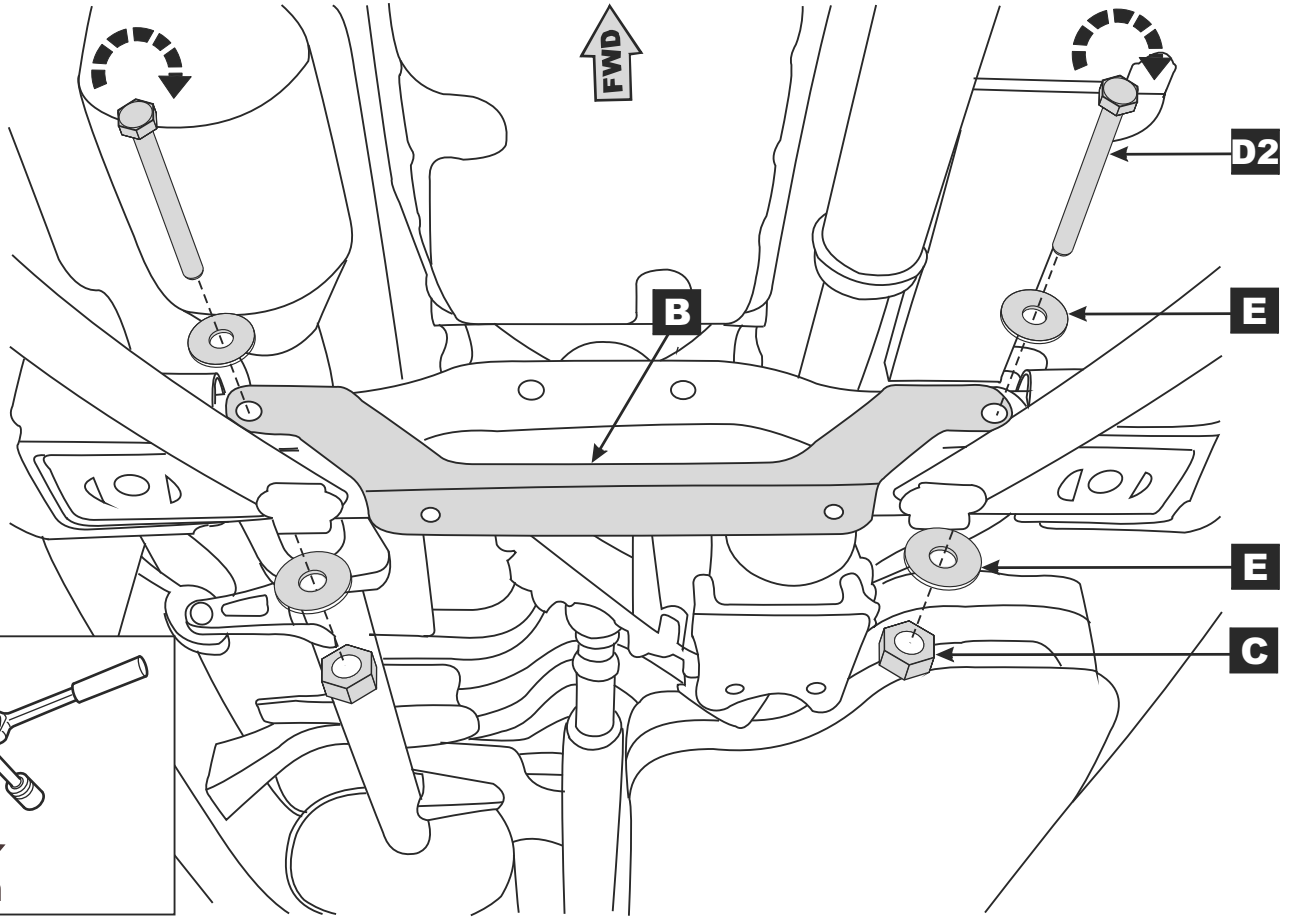


47 Nm

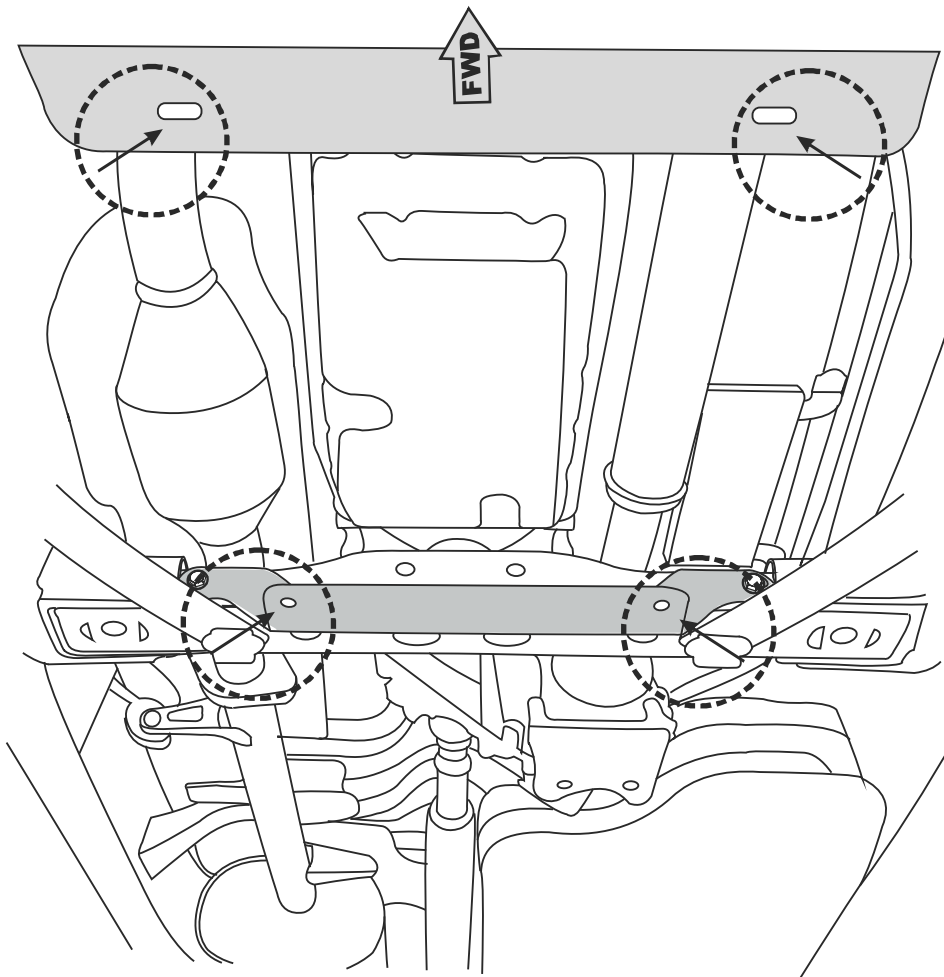
Part number: PZ4AL- 01699- 00	Issue: 0	Date: 14/12/09	Manual reference number: AIM 001 -931-0	Page: 3/5
----------------------------------	-------------	-------------------	--	--------------

2B

Toyota Land Cruiser 150 Petrol



3



4

